

FIG. 1

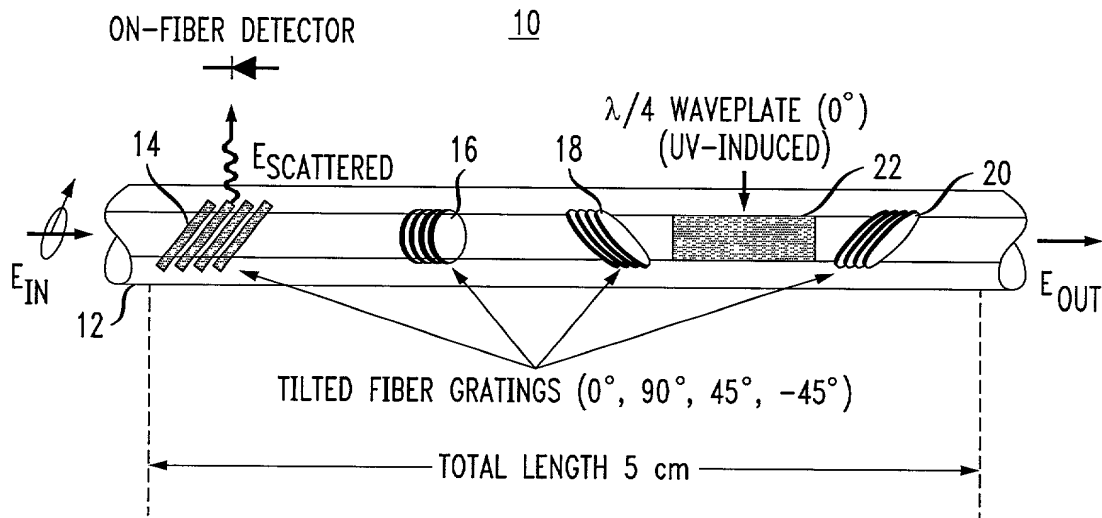


FIG. 2

30

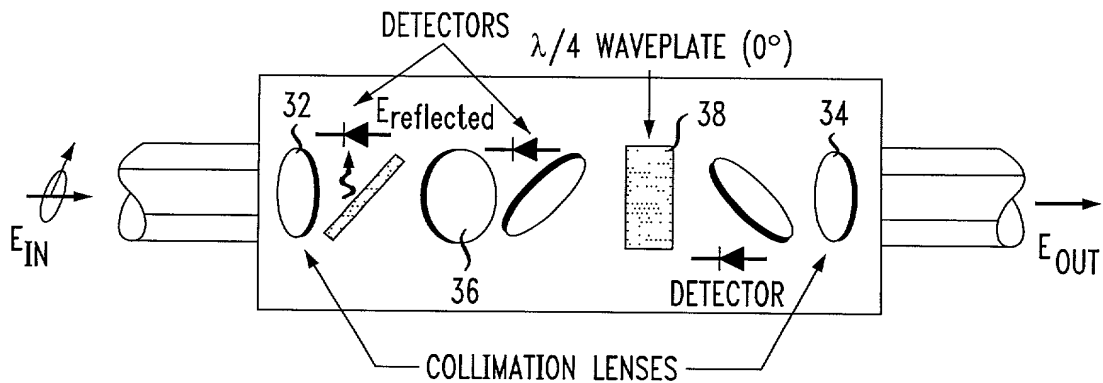


FIG. 3

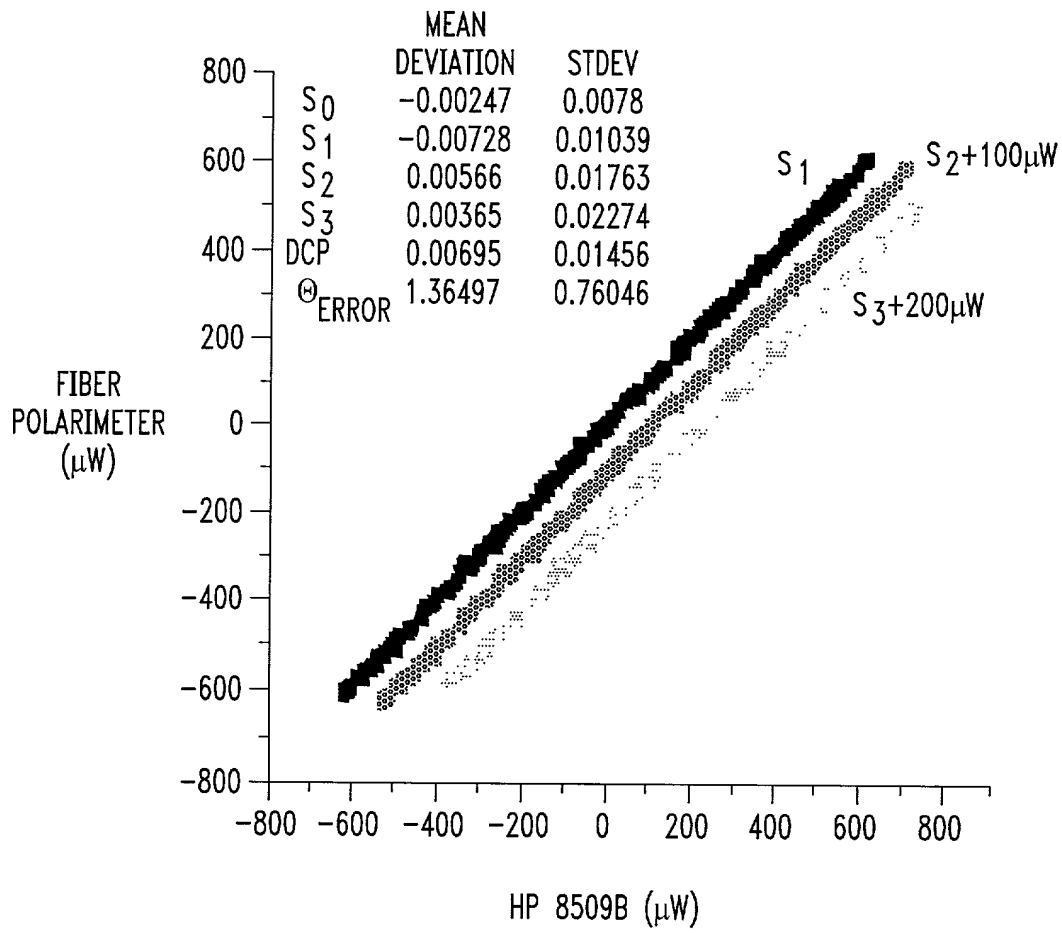


FIG. 4

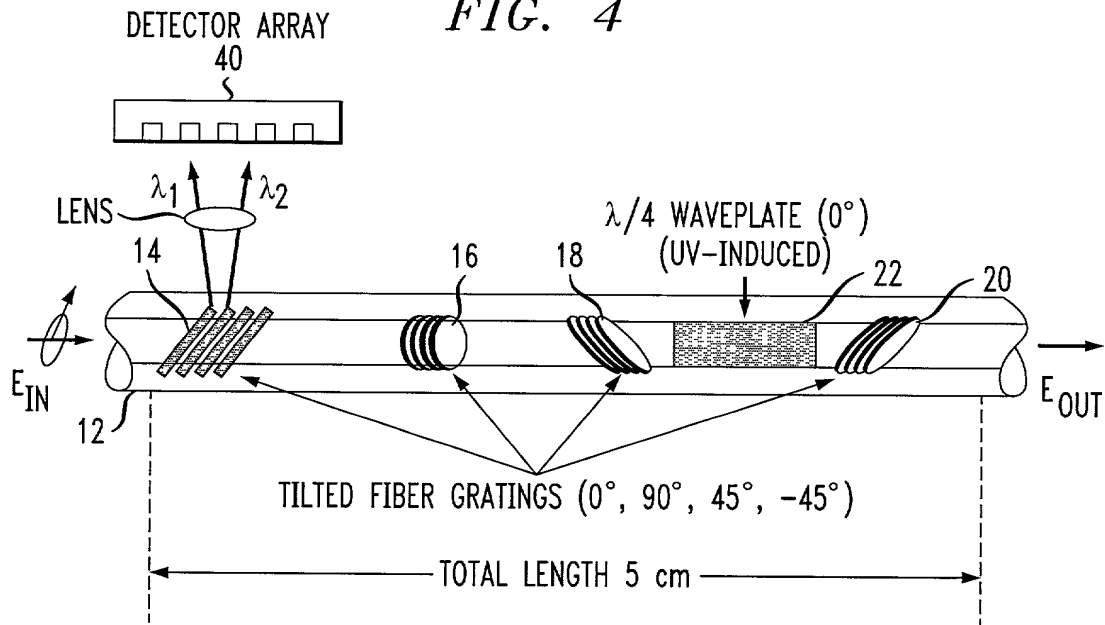
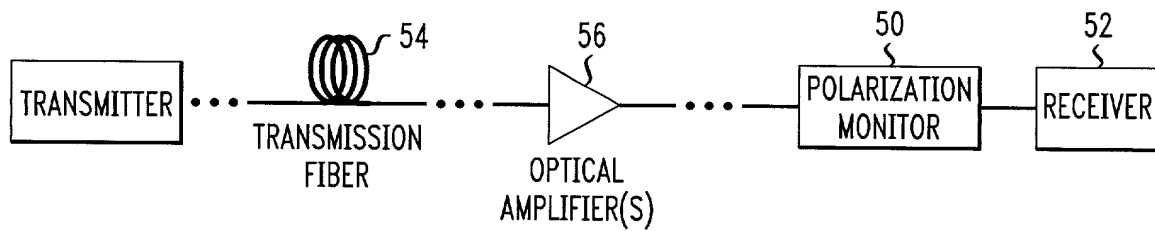
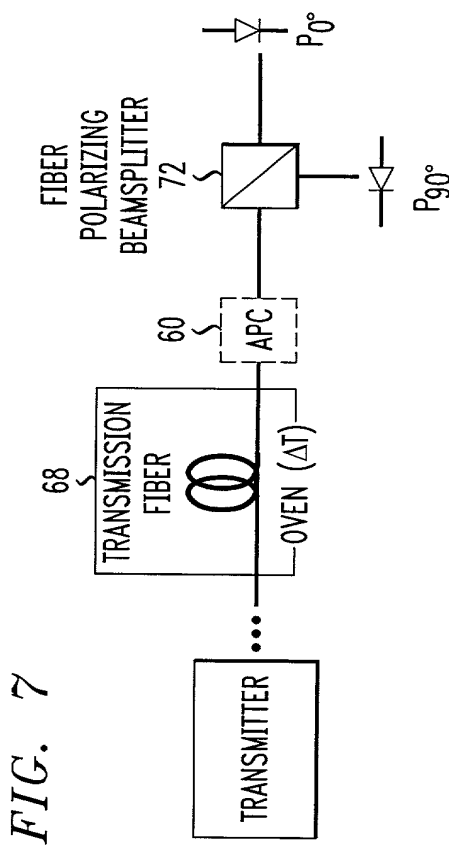
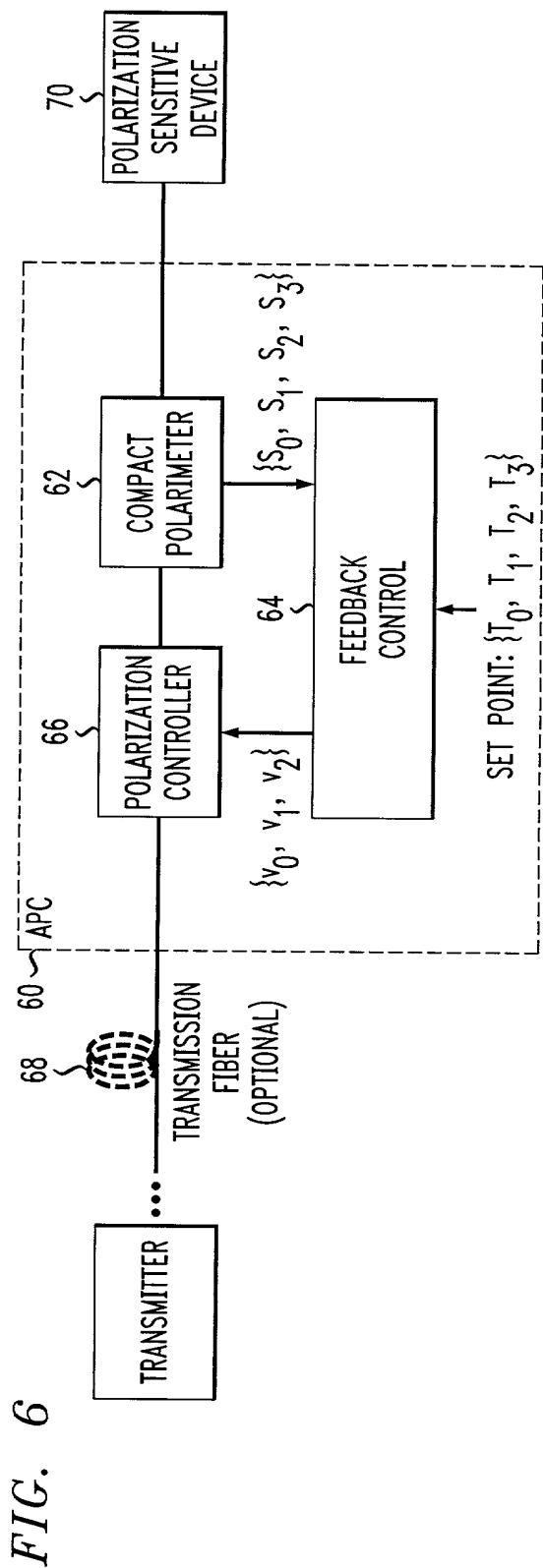


FIG. 5

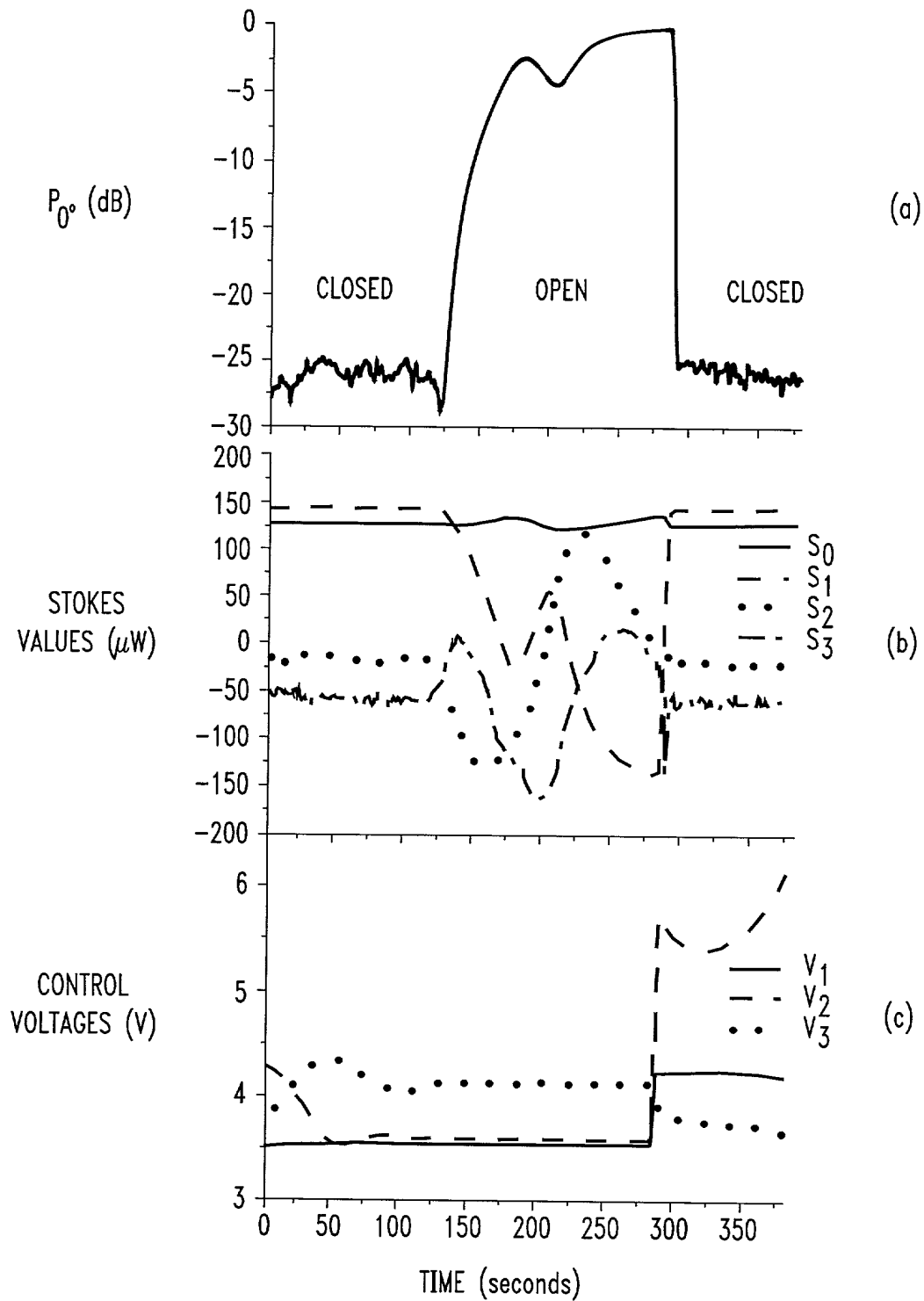




This document is the property of the U.S. Government and is loaned to your agency; it and its contents are not to be distributed outside your agency.

5/7

FIG. 8



6/7

FIG. 9

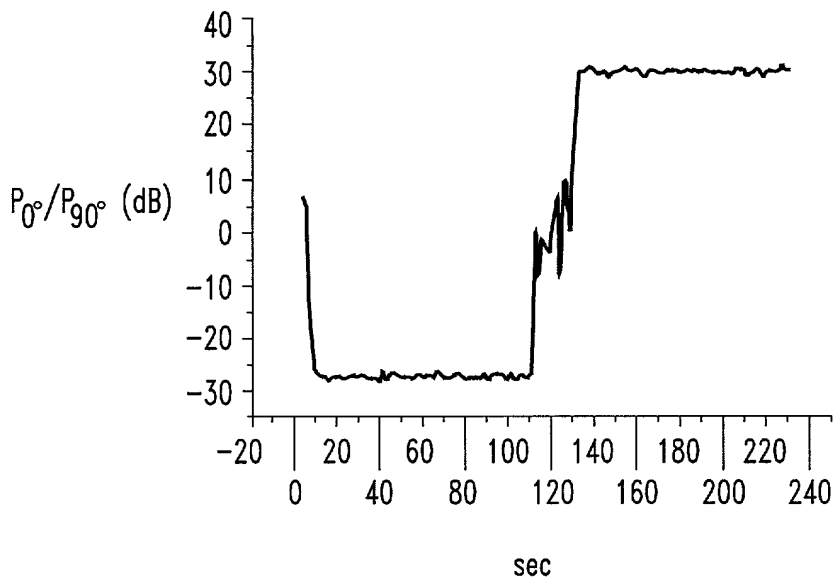
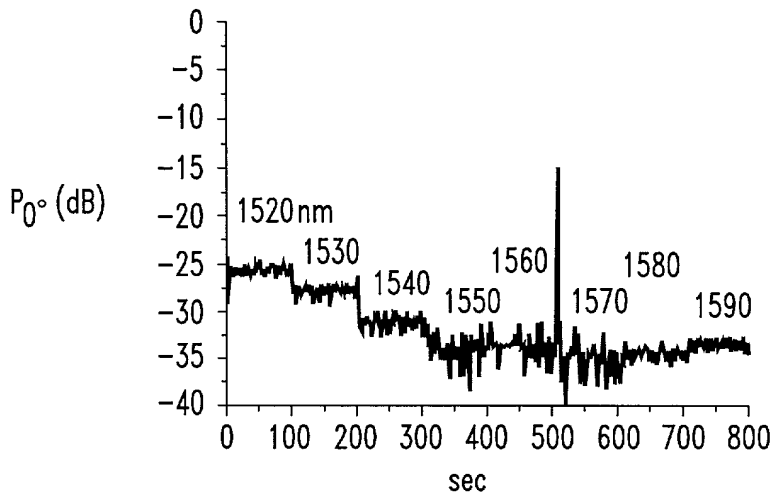


FIG. 10



7/7

FIG. 11

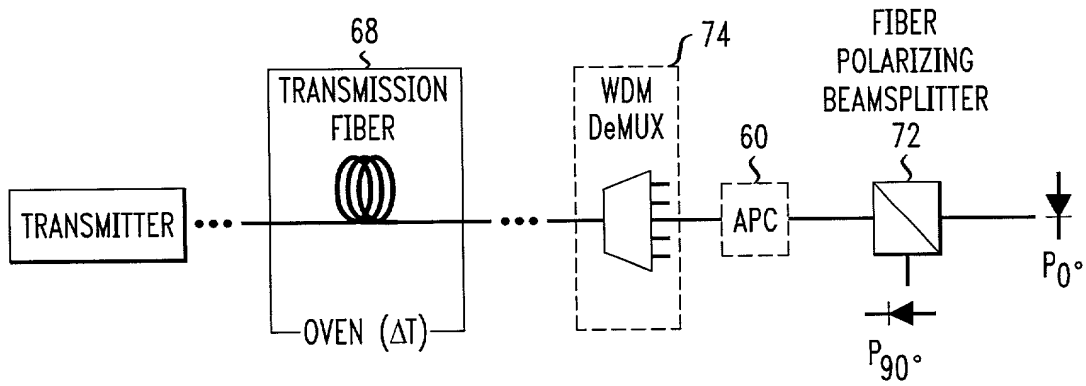


FIG. 12

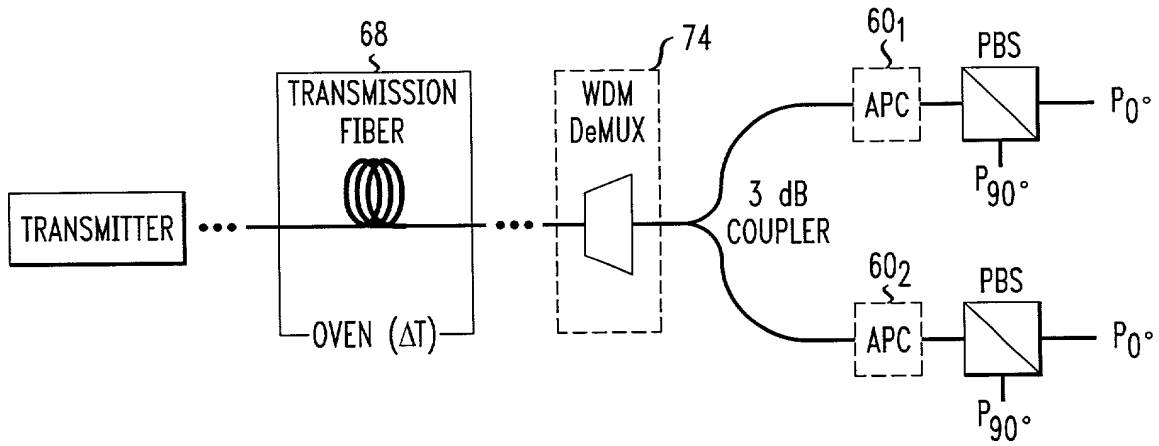


FIG. 13

